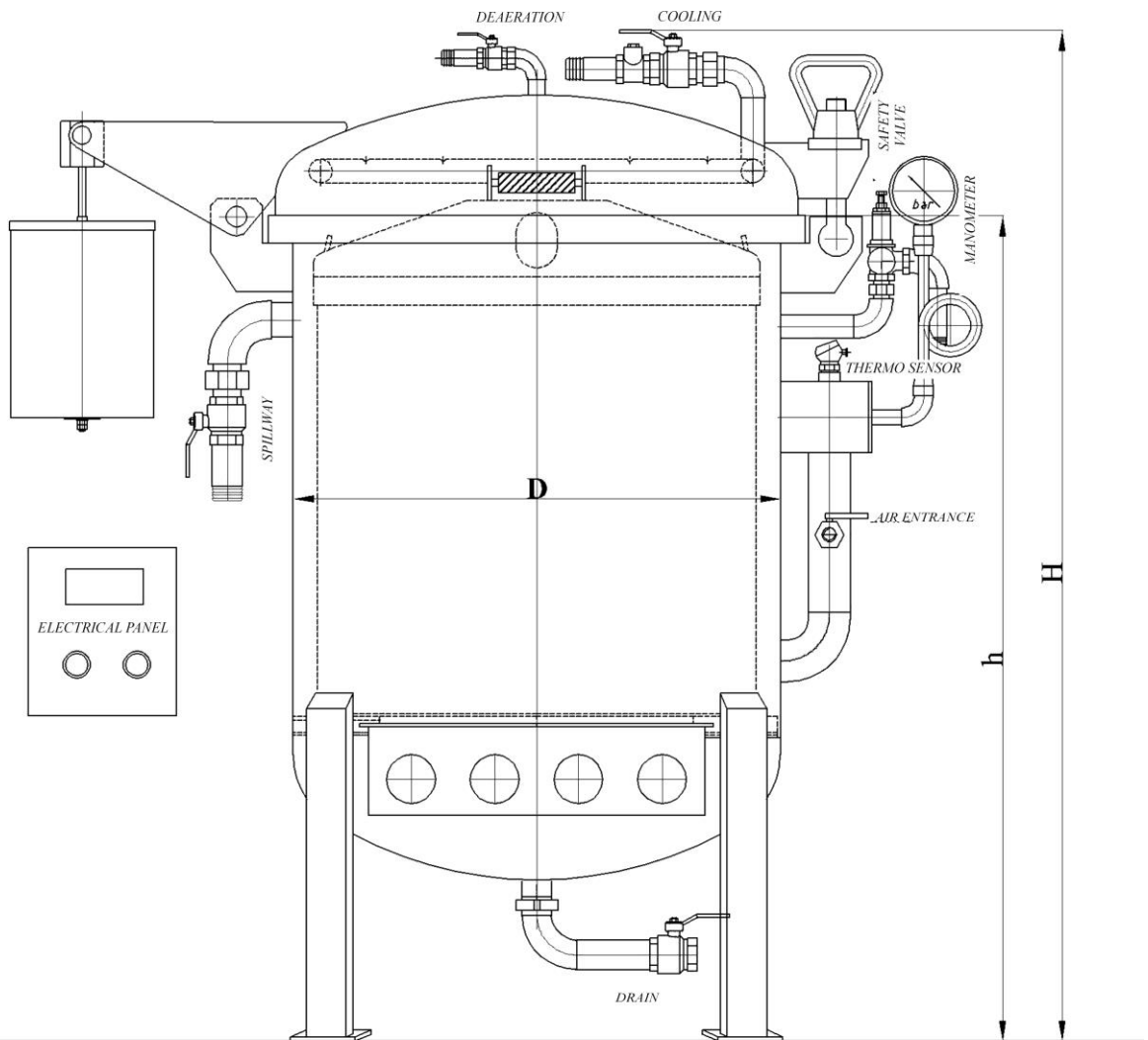
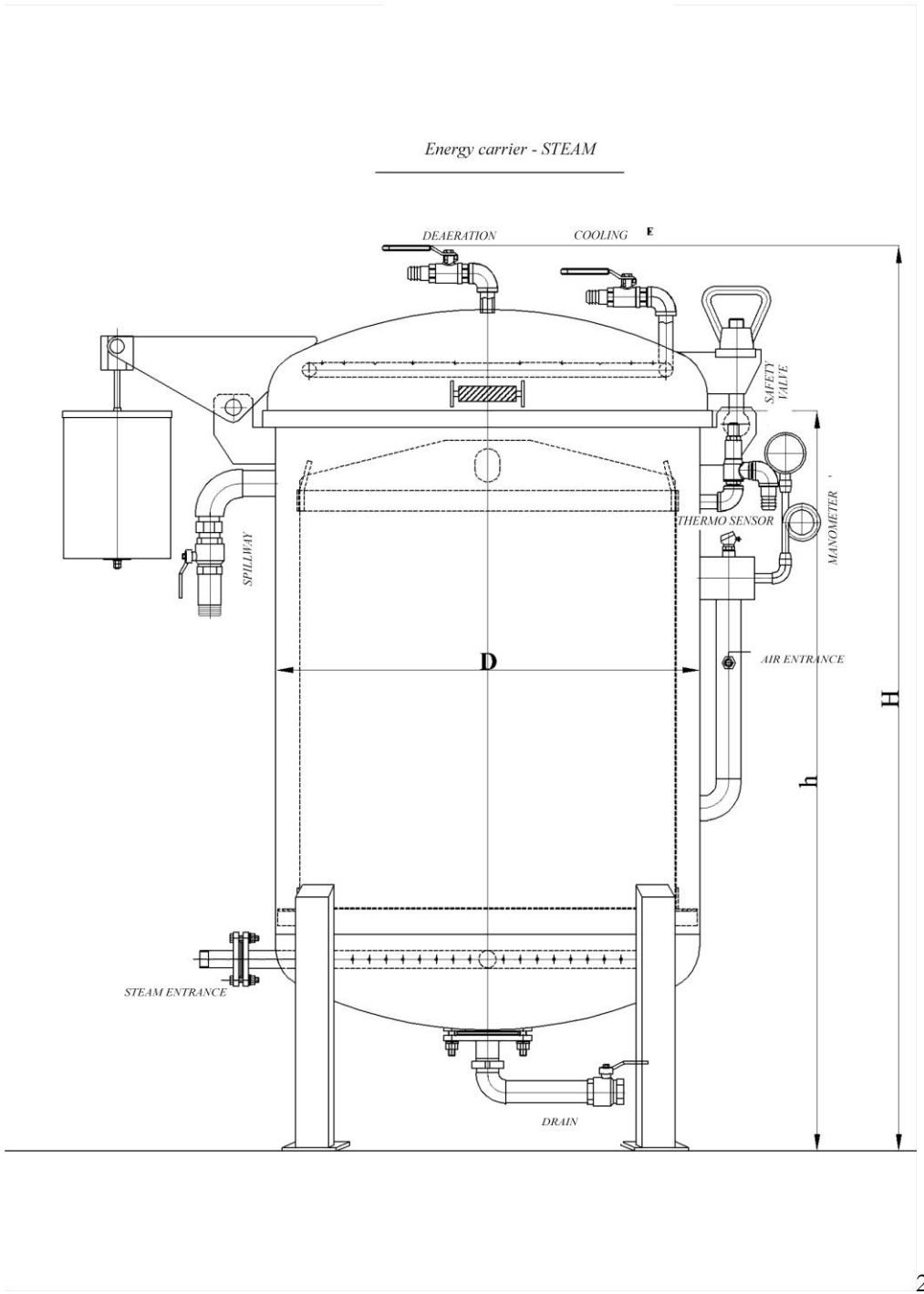


AUTOCLAVE STERILIZER V = 500 L - Pos.1 Scheme 2		AUTOCLAVE STERILIZER V = 600 L - Pos.1 Scheme 2	
1. Working volume -500 l 2. Set - with electrical panel and fittings 3. Capacity - (720 g) - 300 pcs. jar 4. Electric power - 56 kW 5. Diameter - D 800 mm 6. Height - H 1750 mm		1. Working volume -600 l 2. Set - with electrical panel and fittings 3. Capacity - (720 g) - 380 pcs. jar 4. Electric power - 72 kW 5. Diameter - D 900 mm 6. Height - H 1850 mm	
Material - VSt3sp / black /		Material - VSt3sp / black /	
I. Energy carrier - electric current- Scheme 1 with Electrical panel, Control Measuring Instruments, and Automation	3162 EUR	I. Energy carrier - electric current- Scheme 1 with Electrical panel, Control Measuring Instruments, and Automation	4312 EUR
II. Energy-steam - Scheme 1 Manual control	2415 EUR	II. Energy-steam - Scheme 1 Manual control	3162 EUR
III.Комп- Поз.2	180 EUR	III.Комп- Поз.2	270 EUR
Material - 1.4301 / stainless /		Material - 1.4301 / stainless /	
I. Energy carrier - electric current- Scheme 1 with Electrical panel, Control Measuring Instruments, and Automation	5117 EUR	I. Energy carrier - electric current- Scheme 1 with Electrical panel, Control Measuring Instruments, and Automation	6957 EUR
II. Energy-steam - Scheme 1 Manual control	4312 EUR	II. Energy-steam - Scheme 1 Manual control	5807 EUR
III.Basket- Pos.2 Scheme 2	609 EUR	III.Basket- Pos.2 Scheme 2	7822 EUR
<p><i>All prices are without VAT, ex warehouse of the manufacturer.</i> <i>The installation is negotiated additionally.</i> <i>Pos. 3 and 4 are at the customer's request - Scheme 2</i></p>			

*Energy carrier - electric current
with Electrical panel, Control Measuring Instruments and Automation*





3

